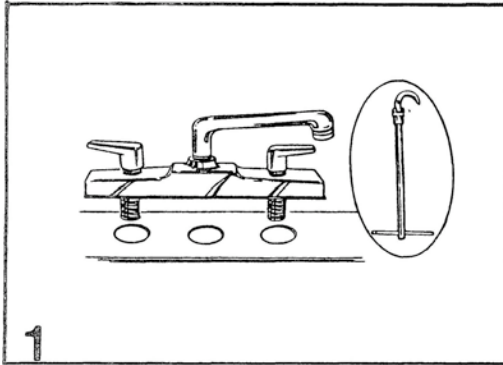
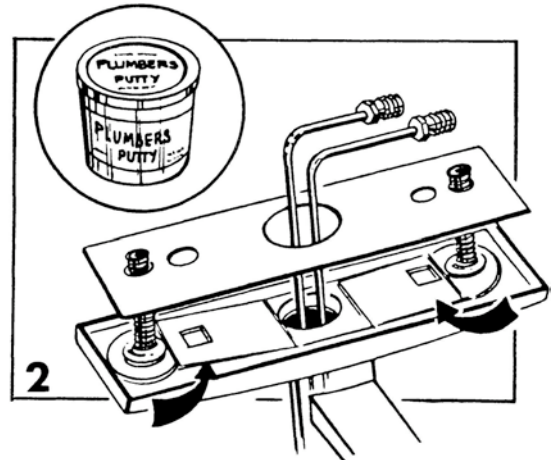




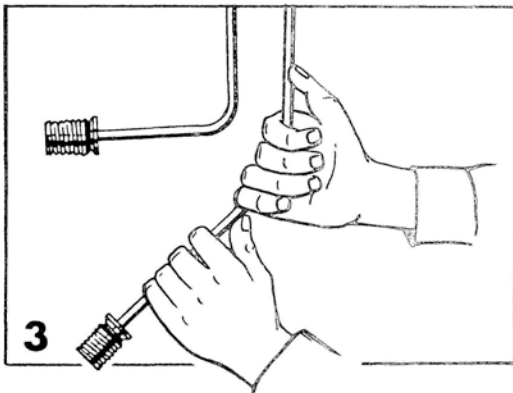
HOW TO INSTALL A SINGLE LEVER FAUCET



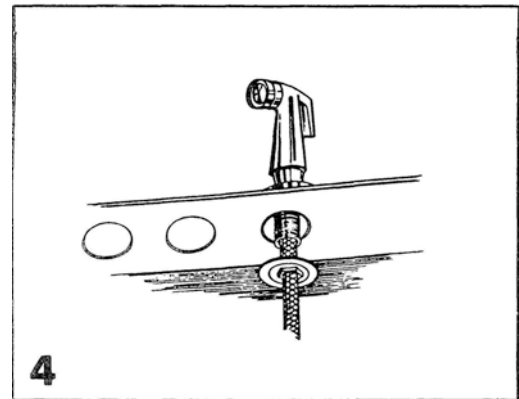
Shut off water supply. Disconnect and remove old faucet. Long handle basin wrenches are available to help simplify removal of old faucet nuts under sink.



Faucet is set for 8" centers. Some models can also be set for 6" centers by moving two stud bolts on the inside of the undercover plate. Be sure base gasket is attached on bottom or discard gasket and pack bottom of faucet with plumber's putty until slightly rounded.

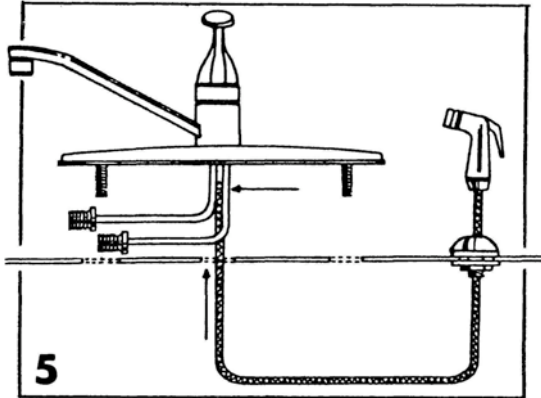


Carefully straighten copper supply tubes on faucet. This can be done by placing thumbs in back of bend and carefully straighten tubing, taking care not to crimp copper supply tubes.

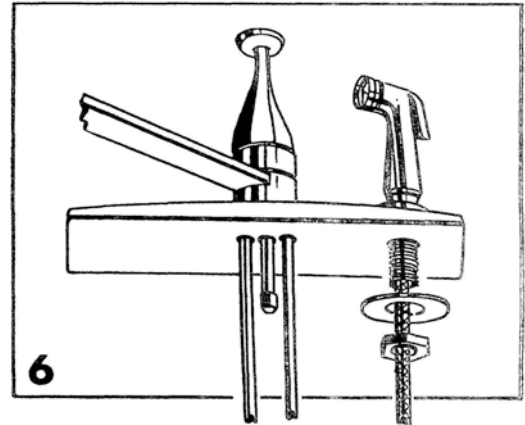


For models with spray attachments only: Attach spray mount support unit in far right hole of kitchen sink.

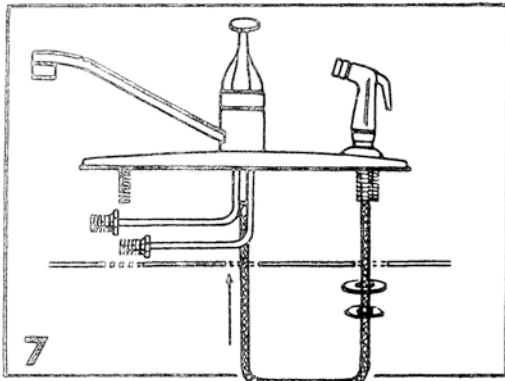
For units without spray attachments, proceed to Step 8.



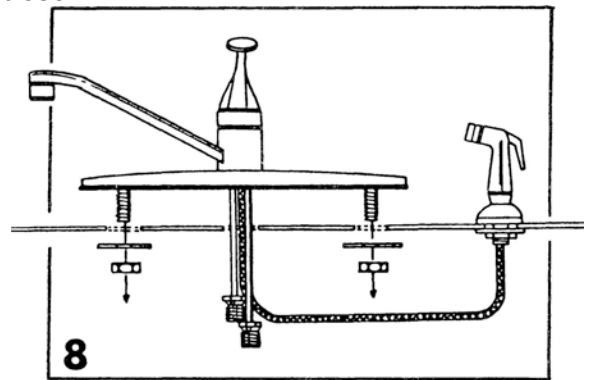
5
Push hose down through support unit and up through second hole from left. Attach hose to spray hose nipple on underside of faucet.



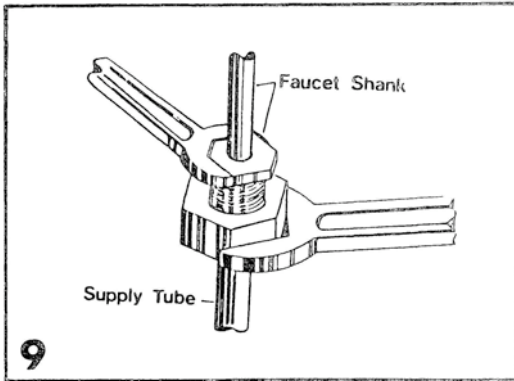
6
Deck mounted spray attachment model, for 3-hole kitchen sinks. Remove nut and washer from spray mount support located on bottom side of faucet.



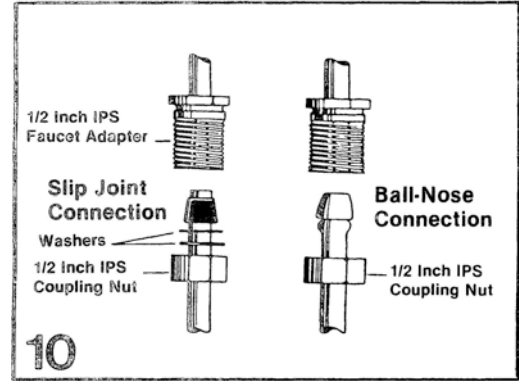
7
Push hose down through right-hand hole of sink. Slide washer and nut on spray hose underneath sink. (Do not fasten until Step 8.) Bring hose up through middle hole of sink deck and attach to spray hose nipple.



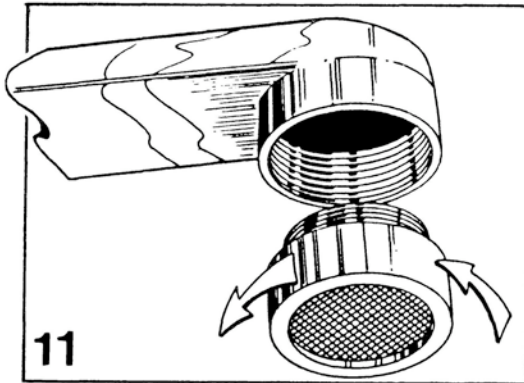
8
Feed straightened copper tubes and entire faucet unit down through the kitchen sink deck holes. Fasten in place with mounting washers and nuts provided. Trim off excess plumber's putty, if used, from around faucet.



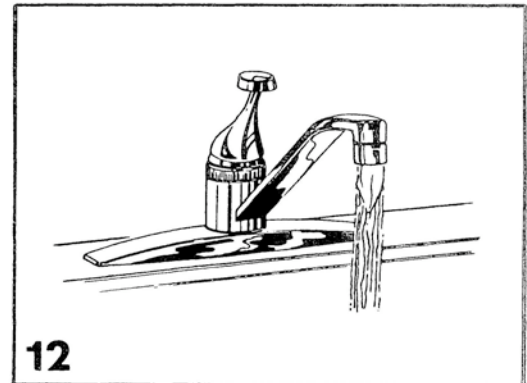
Connect both hot and cold tubes to the supply lines from the wall or floor. Left-hot, right-cold. Using care, take one wrench and hold hex of faucet adapter on supply tube and another to tighten nut on water supply line from floor or wall. **DO NOT OVERTIGHTEN!**



Make connection to your supply line using either a slip joint or ball-nose type supply tube. The flexible type supply tubes are available which makes for a quick, easy installation. The shank adaptor on the faucet supply is 1/2 inch IPS.



After installation remove aerator and turn faucet to a full water mix position. Turn water supply on and flush both hot and cold lines. On spray models, check spray operation for leaks.



Check for leaks above and below sink. Replace faucet aerator. Your new faucet is ready for use.



This page intentionally left blank.