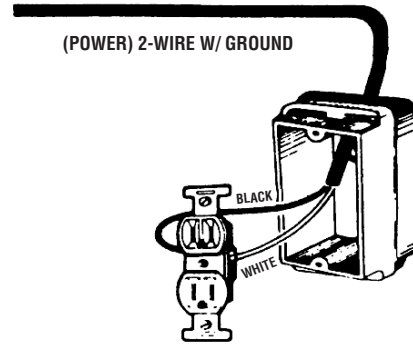




## DEVICE WIRING DIAGRAMS

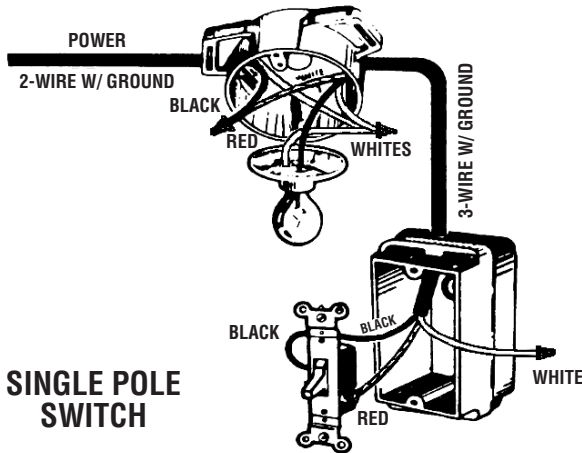


**NOTE!**  
 Ground wires are not shown in all diagrams but it is understood that all new installations must be grounded.



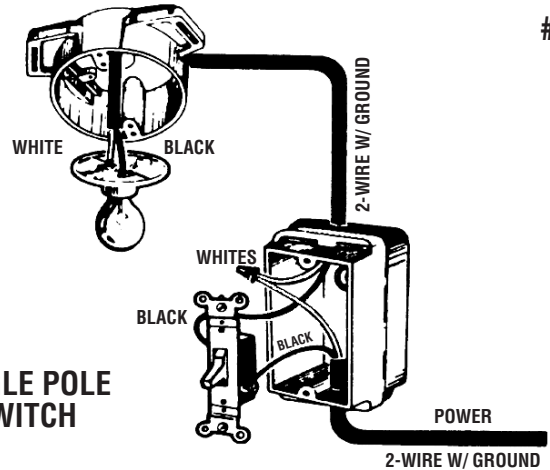
**#1**  
**115 VOLT PLUG-IN**

**#2**



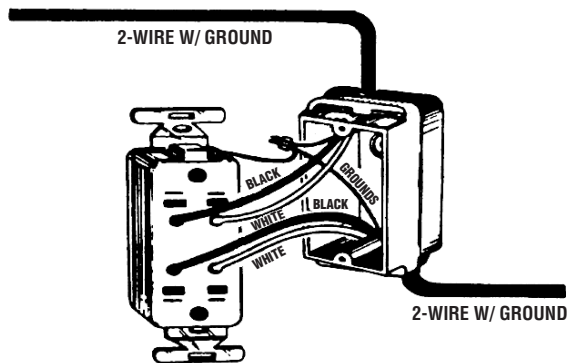
**SINGLE POLE SWITCH**

**#3**



**SINGLE POLE SWITCH**

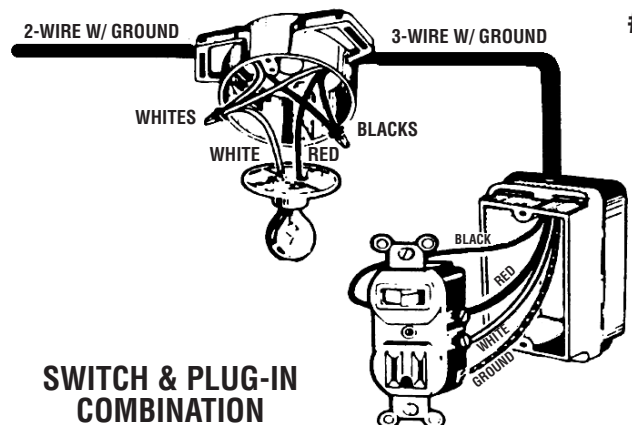
**#4**



Notice that when metal boxes are used, the ground wire must be attached to the box.

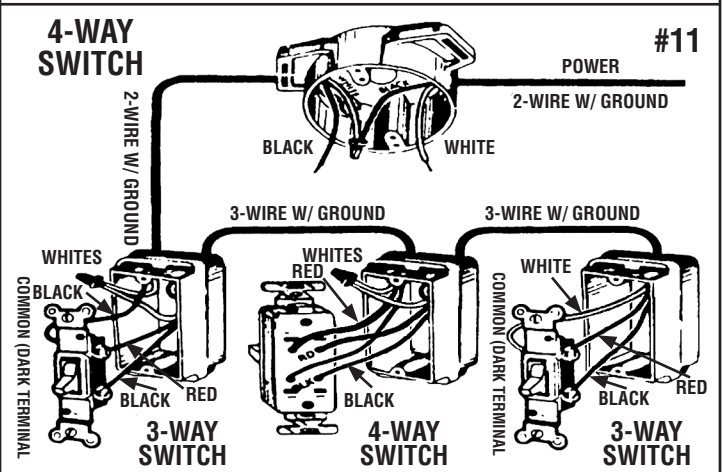
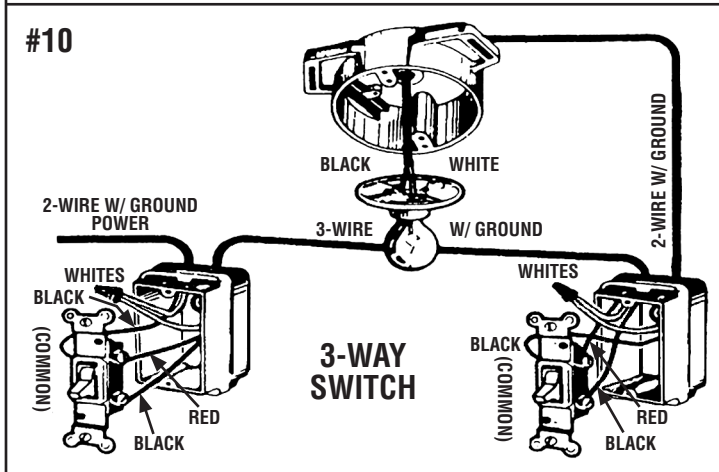
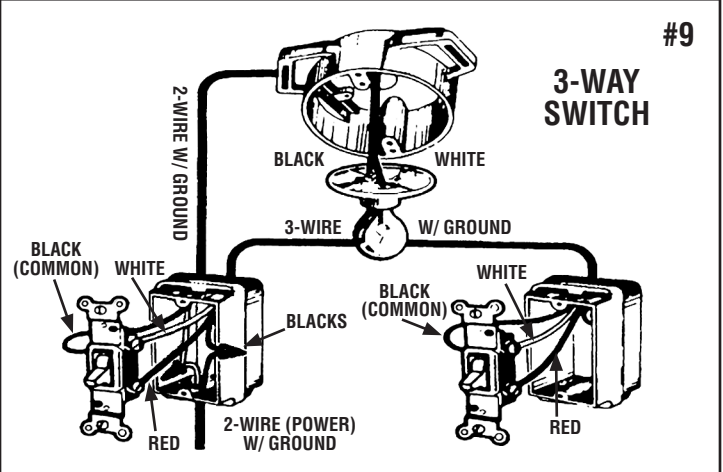
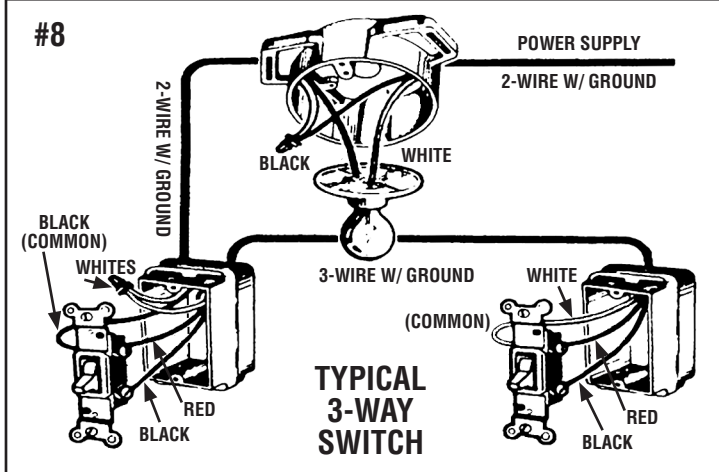
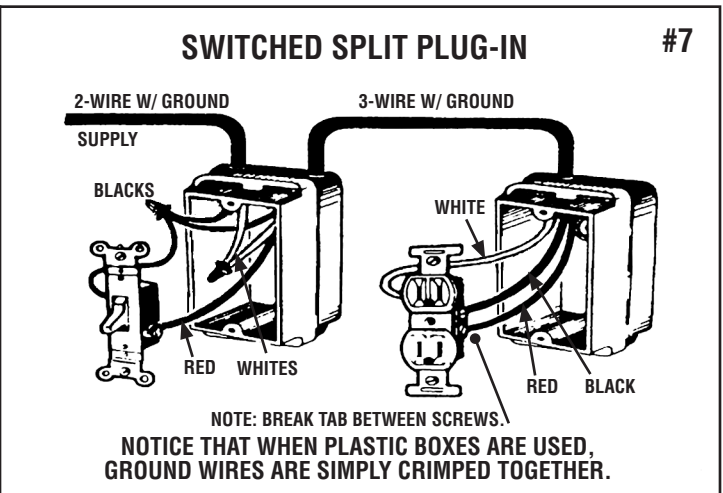
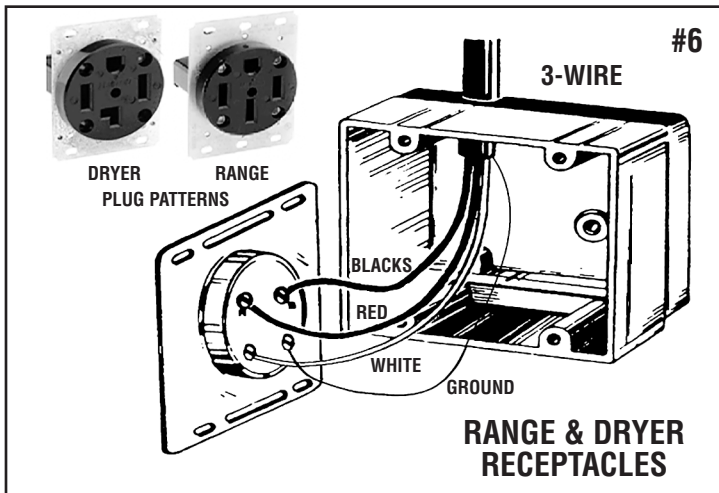
**115 VOLT PLUG-IN SUPPLY IN & OUT**

**#5**



**SWITCH & PLUG-IN COMBINATION**

(over)



**NOTE: Some device brands have the common terminals on the opposite side from what is depicted above. Always confirm which terminals are correct with markings on the device!**